

# Isolating-/Control-transformer, IP00



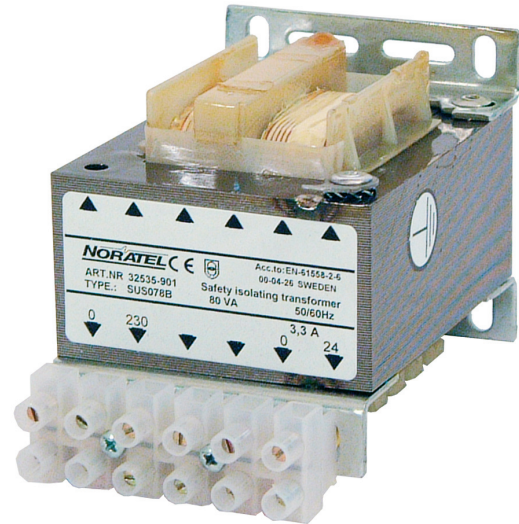
## Type SUS

Open single-phase isolating-/control-transformer designed and tested according to EN61558-2-4. Separate insulated windings and protected against dust, humidity and corrosion through complete impregnation in heat tempered varnish. Produced according to DNV, Lloyds register of shipping and Bureau Veritas regulations which include 45°C ambient temperature. Compact vertical design, fixed installation, easy mounting in cabinets or switchboards. Even though the transformer is protected against involuntary contact with live parts it has to be mounted in cover.

### Applications:

Industrial isolating-/control- transformer designed for contactor installation in processing industry, shipbuilding and switchboards. Suitable for installation which require protective separation between input and output. The transformer must be protected against overload and short-circuit in the installation.

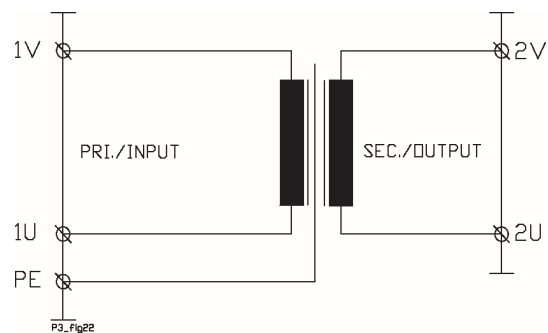
Custom designed models on request.



## Technical specifications

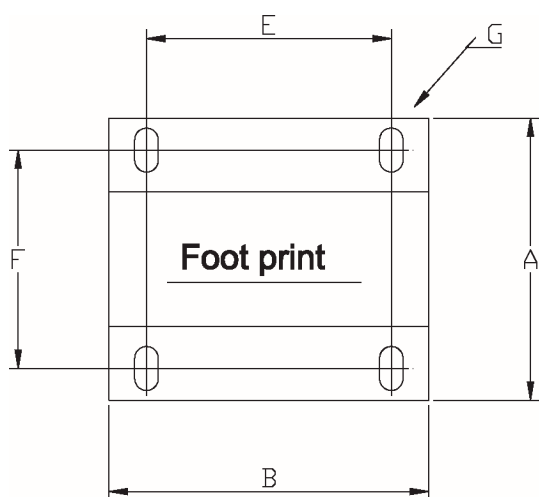
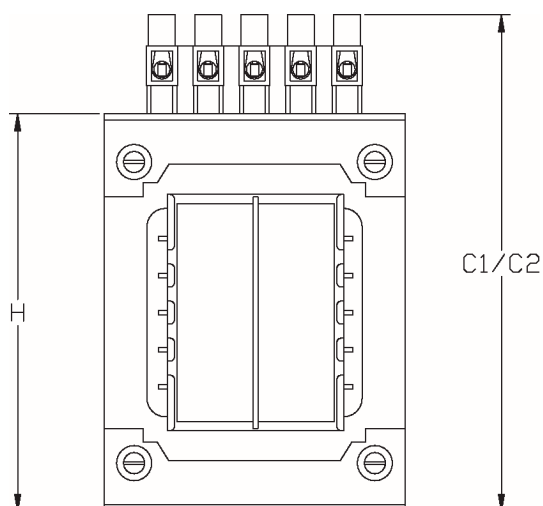
- Input voltage: 0-400-440 V  
0-500-525 V
- Frequency: 47-63Hz
- Output voltage: 230 V
- According to: EN61558-2-6
- Test/insulating voltage: 4 kV AC RMS
- Construction class: I
- Insulation class: B (130°C)
- Ambient temp. ( $t_a$ ): 45°C
- Degree of protection: IP00

## Wiring diagram



- Information on losses and short-circuit currents on page I-18 & I-19

## Dimensions - weight (mm - kg)



Type	Voltage Sec. (V)	Current Sec. (A)	Power (VA)	Art. no.
<b>400-440/230V</b>				
SUS78B-400230	230	0,35	80	5-063-078500
SUS84B-400230	230	0,48	110	5-063-084500
SUS96B-400230	230	0,70	160	5-063-096500
SUS96C-400230	230	0,96	220	5-063-096800
SUS120A-400230	230	1,30	300	5-063-000052
SUS120B-400230	230	1,74	400	5-063-120500
SUS120C-400230	230	2,18	500	5-063-120800
SUS150B-400230	230	3,05	700	5-063-150500
SUS150C-400230	230	4,35	1000	5-063-150800
SUS174C-400230	230	6,96	1600	5-063-174800
<b>500-525/230V</b>				
SUS78B-500230	230	0,35	80	5-063-000036
SUS84B-500230	230	0,48	110	5-063-000037
SUS96B-500230	230	0,70	160	5-063-000038
SUS96C-500230	230	0,96	220	5-063-000039
SUS120B-500230	230	1,74	400	5-063-000040
SUS120C-500230	230	2,18	500	5-063-000041
SUS150B-500230	230	3,05	700	5-063-000042
SUS150C-500230	230	4,35	1000	5-063-000043

C1 = dim. with 4mm<sup>2</sup> con.  
C2 = dim with 16mm<sup>2</sup> con.

Type	Dimensions (mm)								Wt (Kg)
	A	B	C1	C2	E	F	G	H	
SUS60A	47	50	87	92	38	36	3,6x7,0	65	0,6
SUS66A	49	55	96	101	44	38	3,6x7,0	74	0,7
SUS66B	61	55	96	101	44	50	3,6x7,0	74	1,0
SUS78A	58	65	108	113	50	45	4,8x9,0	86	1,2
SUS78B	67	65	108	113	50	54	4,8x9,0	86	1,5
SUS84B	75	70	113	118	56	61	4,8x9,0	91	1,9
SUS96B	80	80	124	129	56	63	4,8x9,0	102	2,8
SUS96C	94	80	124	129	56	77	4,8x9,0	102	3,5
SUS120A	88	100	150	155	84	66	5,8x11,0	128	4,3
SUS120B	100	100	150	155	84	78	5,8x11,0	128	5,1
SUS120C	120	100	150	155	84	98	5,8x11,0	128	6,6
SUS150A	107	125	182	187	90	78	5,8x11,0	160	7,9
SUS150B	124	125	182	187	90	95	5,8x11,0	160	9,9
SUS150C	150	125	182	187	90	121	5,8x11,0	160	13,3
SUS174B	148	145	205	210	122	116	7,0x13,0	183	14,7
SUS174C	168	145	205	210	122	136	7,0x13,0	183	19,9