

# Isolating transformer, UL-approved

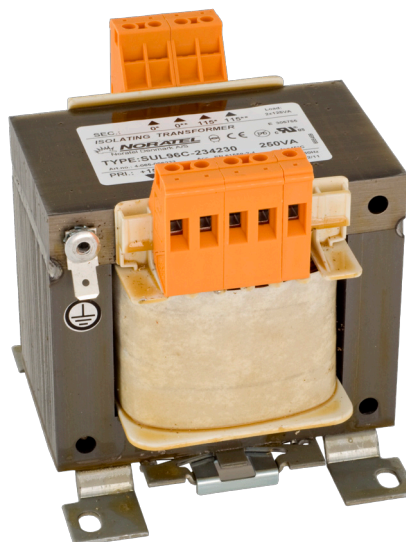


## Type SUL

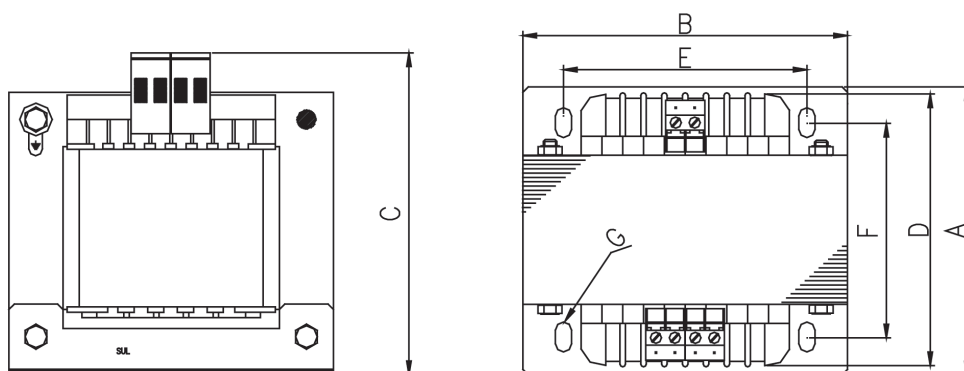
Open single-phase isolating-/control-transformer with separate insulated windings and protected against dust, humidity and corrosion through complete impregnation in heat tempered varnish. UL-approved and produced according to DNV, Lloyds register of shipping and Bureau Veritas regulations which include 45°C ambient temperature. Compact design, fixed installation, easy mounting in cabinets or switchboards.

### Applications:

Industrial isolating-/control-transformer suitable for installation which require protective separation between input and output. SUL84A, SUL84B, SUL96C & SUL96C can be mounted on 35mm DIN-rail. The transformer must be protected against overload and short circuit in the installation.



Type	Dimensions (mm)							Wt (Kg)
	A	B	C	D	E	F	G	
SUL84A	86	84	97	60	64	65	4,5x8	1,4
SUL84B	86	84	97	74	64	65	4,5x8	1,9
SUL96B	102	96	105	80	84	87	5,5x9	2,8
SUL96C	102	96	105	94	84	87	5,5x9	3,5
SUL120A	86	120	120	88	90	69	6x11	4,2
SUL120B	98	120	120	100	90	81	6x11	5,1
SUL120C	117	120	120	120	90	101	6x11	6,6
SUL150A	106	150	145	108	122	85	7x13	8,1
SUL150B	122	150	145	124	122	103	7x13	9,9
SUL150C	147	150	145	150	122	128	7x13	13,3
SUL192C	156	192	180	154	150	126	10x18	22,5
SUL192D	177	192	188	175	150	148	10x18	27,3
SUL192E	184	192	188	184	150	154	10x18	28,7



## Technical specifications

- Input voltage: 230-400±15V  
400-460±20V  
550-575±25V
- Frequency: 47-63 Hz
- Output voltage: 2x115V
- According to: EN61558, UL506,  
UL file no. E305755
- Test/insulating voltage: 4,5 kV AC RMS
- Construction class: I
- Insulation class: IEC - B (130°C)  
UL - class A (105°C)
- Ambient temp. (t<sub>a</sub>): 45°C
- Degree of protection: IP00

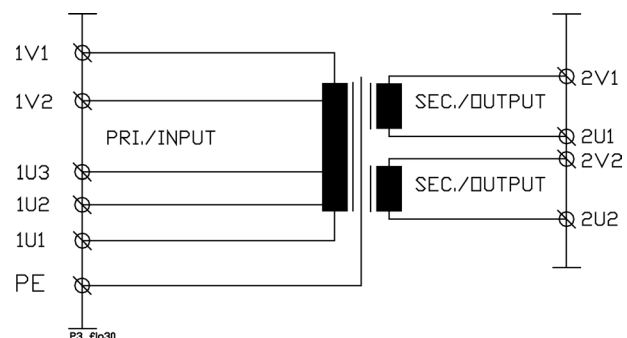
The SUL 234 transformer series is designed for connecting to a wide range of primary voltages. Connect neutral conductor (N) and phase conductor (P) according to the table:

Primary voltage	Terminal				
	+15	0	15	230	400
215V			N	P	
230V		N		P	
245V	N			P	
385V			N		P
400V		N			P
415V	N				P

Primary voltage	Terminal				
	+20	0	20	400	460
380V			N	P	
400V		N		P	
420V	N			P	
440V			N		P
460V		N			P
480V	N				P

Primary voltage	Terminal				
	+25	0	25	500	575
475V			N	P	
500V		N		P	
525V	N			P	
550V			N		P
575V		N			P
600V	N				P

Type	Voltage Sec. (V)	Current Sec. (A)	Power (VA) IEC / UL	Art. no.
<b>230-400±15V/2x115V</b>				
SUL84A-234230	2x115	2x0,27	63 / 63	4-065-084230
SUL84B-234230	2x115	2x0,43	100 / 100	4-065-084231
SUL96B-234230	2x115	2x0,7	160 / 160	4-065-096232
SUL96C-234230	2x115	2x1,09	250 / 200	4-065-096233
SUL120A-234230	2x115	2x1,39	320 / 250	4-065-120234
SUL120B-234230	2x115	2x1,74	400 / 320	4-065-120235
SUL120C-234230	2x115	2x2,17	500 / 400	4-065-120236
SUL150A-234230	2x115	2x2,74	630 / 500	4-065-150237
SUL150B-234230	2x115	2x3,48	800 / 630	4-065-150238
SUL150C-234230	2x115	2x4,35	1000 / 800	4-065-150239
SUL192C-234230	2x115	2x6,96	1600 / 1000	4-065-192240
SUL192D-234230	2x115	2x8,7	2000 / 1600	4-065-192241
SUL192E-234230	2x115	2x10,87	2500 / 2000	4-065-192242
<b>400-460±20V/2x115V</b>				
SUL84A-460230	2x115	2x0,27	63 / 63	8-065-084063
SUL84B-460230	2x115	2x0,43	100 / 100	8-065-084100
SUL96B-460230	2x115	2x0,7	160 / 160	8-065-096160
SUL96C-460230	2x115	2x1,09	250 / 200	8-065-096250
SUL120A-460230	2x115	2x1,39	320 / 250	8-065-120320
SUL120B-460230	2x115	2x1,74	400 / 320	8-065-120400
SUL120C-460230	2x115	2x2,17	500 / 400	8-065-120500
SUL150A-460230	2x115	2x2,74	630 / 500	8-065-150630
SUL150B-460230	2x115	2x3,48	800 / 630	8-065-150800
SUL150C-460230	2x115	2x4,35	1000 / 800	8-065-150000
SUL192C-460230	2x115	2x6,96	1600 / 1000	8-065-192160
SUL192D-460230	2x115	2x8,7	2000 / 1600	8-065-192200
SUL192E-460230	2x115	2x10,87	2500 / 2000	8-065-192250
<b>500-575±25V/2x115V</b>				
SUL84A-500230	2x115	2x0,27	63 / 63	8-065-084230
SUL84B-500230	2x115	2x0,43	100 / 100	8-065-084231
SUL96B-500230	2x115	2x0,7	160 / 160	8-065-096232
SUL96C-500230	2x115	2x1,09	250 / 200	8-065-096233
SUL120A-500230	2x115	2x1,39	320 / 250	8-065-120234
SUL120B-500230	2x115	2x1,74	400 / 320	8-065-120235
SUL120C-500230	2x115	2x2,17	500 / 400	8-065-120236
SUL150A-500230	2x115	2x2,74	630 / 500	8-065-150237
SUL150B-500230	2x115	2x3,48	800 / 630	8-065-150238
SUL150C-500230	2x115	2x4,35	1000 / 800	8-065-150239



115*	P	P
115*	P	.
0**	Z	.
0*	Z	Z
Sec.	115V	230V