

# Metal plate cover, IP20/IP23

## Type SUK

Special designed metal plate covers for building-in SU-type transformers. Designed for power range from 400 to 3600 VA. Supplied with parts necessary for the installation. The bottom has holes adjusted to each SU-model. Painted in grey RAL7032.

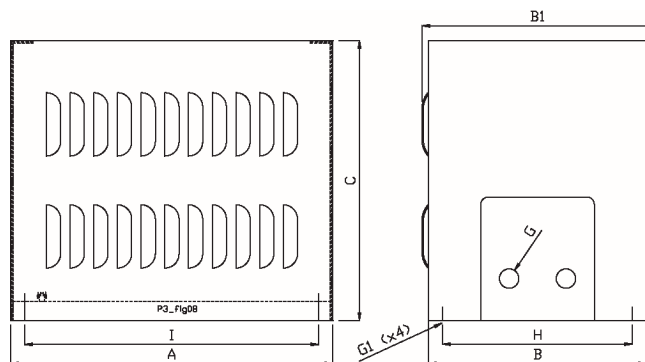
Mounted on wall IP23

Mounted on floor IP20



Transformer type	Cover	Power
SU96A	SUK-96/120	130
SU96B	SUK-96/120	160
SU96C	SUK-96/120	220
SUI20A	SUK-96/120	300
SUI20B	SUK-96/120	400
SUI20C	SUK-96/120	500
SUI50B	SUK-150/174	700
SUI50C	SUK-150/174	1000
SUI74B	SUK-150/174	1200
SUI74C	SUK-150/174	1600
SUI95B	SUK-195	2000
SUI95C	SUK-195	2400
SU231B	SUK-231	3000
SU231C	SUK-231	3600

## Dimensions



Type	Dimensions								Weight (Kg)	Art. no.
	A	B	BI	C	H	I	G	GI		
SUK-96/120	208	173	174	145	120	150	23	5	1,9	3-380-000001
SUK-150/174	246	214	226	183	160	190	23	5	3	3-380-000012
SUK-195	340	230	244	295	200	310	20,5	10	6,8	3-380-001300
SUK-231	390	260	274	330	230	360	20,5	10	8,7	3-380-001400