

I-phase Vario®-transformer IP20

Type RV-20 / RV-21

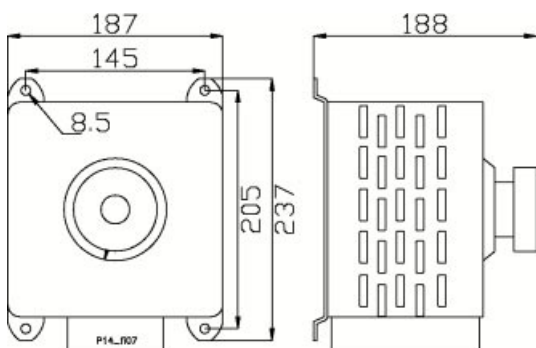
Capsulated single-phase Vario® transformer designed and tested according to VDE0570. Designed as a torodial autotransformer. RV-21 is a table model, fixed installation. Degree of protection IP20. The Noratel Vario® transformer is an optimal solution when continuous control of voltage and current is preferable. The construction ensures a clean sine voltage and no radio interference or additional harmonics are generated.

Applications:

For continuous adjustment of alternating voltage and currents. In addition to standard types, Vario® variable transformers are supplied strictly on customer request.



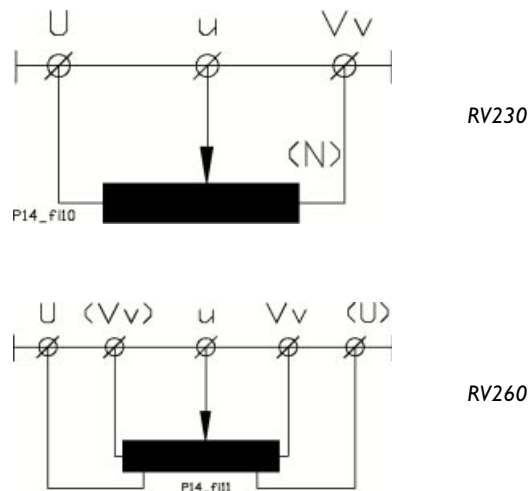
Dimensions (mm)



Technical specifications

- Input voltage: 230V
- Frequency: 48-400Hz
- Output voltage: 0-230V
0-260V
- According to: VDE0570, IEC60989
EN61558-2-14
- Test/insulating voltage: 2kV AC RMS
- Construction class: I
- Insulation class: E (120°C)
- Ambient temp. (t_o): 40°C
- Degree of protection: IP20

Wiring diagram



Standard types

Type	Voltage Prim. (V)	Voltage Sec. (V)	Max current Sec. (A)	Weight (Kg)	Art. no.
230/0-230V					
RV10402-20	230	0-230	4	5,5	4-101-120042
RV10632-20	230	0-230	6,3	6,9	4-101-220632
RV11002-20	230	0-230	10	8,5	4-101-120102
230/0-260V					
RV10456-20	230	0-260	4,5	5,5	4-101-120045
RV10806-20	230	0-260	8	8,5	4-101-120085
RV10456-21*	230	0-260	4,5	5,5	4-101-121456
RV10806-21*	230	0-260	8	8,5	4-101-121805

*Table model with contact and switch