

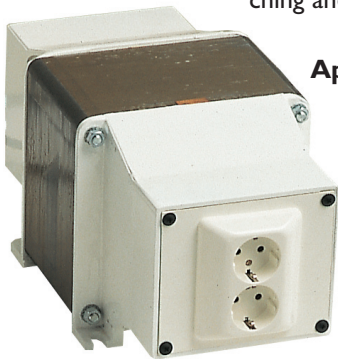
Electrostatically shielded transformers

Type ISO

Specially designed single-phase perturbation attenuation isolating transformers with high transient suppression and low noise level. Designed and tested according to EN61558-2-19. ISO transformers are electrostatically shielded and have output filters which protect systems from unwanted "noise" and highfrequency voltages that can occur due to switching and loading on distribution lines.

Applications:

Designed to protect equipment that requires a low-noise voltage in order to work without problems e.g.: computer equipment, telephone exchanges and audio equipment.

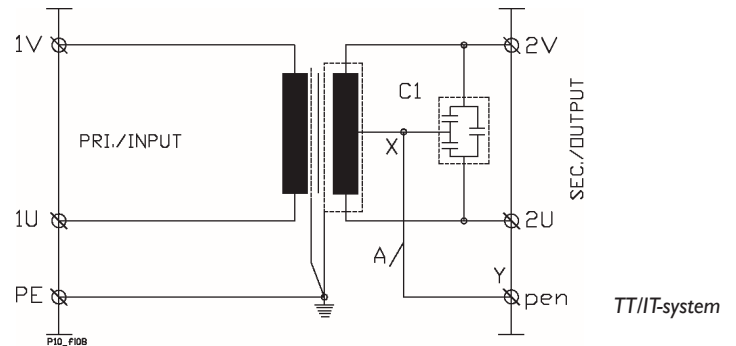


Technical specifications

- Input voltage: 230V
- Frequency: 47-63Hz
- Output voltage: 230V (I 15-0-115)
- Attenuation effect: 120dB phase-ground
60dB phase-ground
- According to: EN61558-2-19
- Test/insulating voltage: 4kV AC RMS
- Construction class: I
- Insulation class: B (130°C)
- Ambient temp. (t_a): 40°C
- Degree of protection: IP20

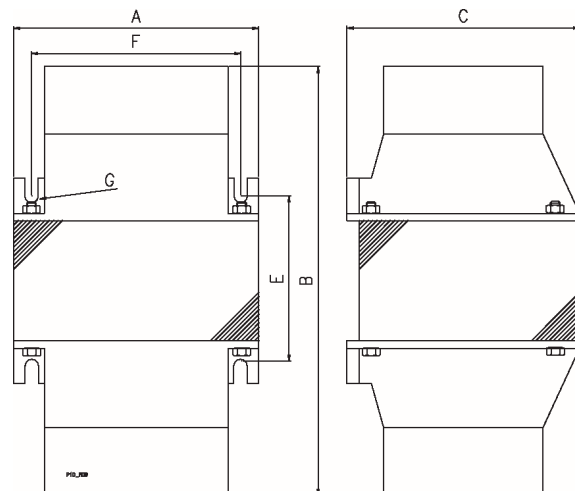


Wiring diagram



If a TN-system is preferable, point (A) can break so (Y) is directly connected to 2U. This will reduce the attenuation level.

Dimensions



Standard types

Type	Voltage Sec. (V)	Current Sec. (A)	Power (VA)	Dimensions (mm)						Weight (Kg)	Art. no.
				A	B	C	E	F	G		
230/230 V											
ISO I-20	2x230	20	4600	232	420	233	210	203	ø10	52,0	3-230-500200