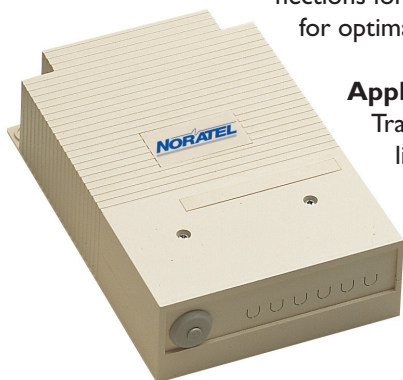


Low voltage lighting transformer, IP34

HaloPower2

Transformer for 12V lighting installations. Designed and tested according to norm EN61558-2-6. Separate insulated windings moulded in self-extinguishing Polyurethane and plastic capsulated. Insulation class II, double isolated. Short circuit proofs. Compact design, easy mounting on wall.

Output terminal for rail and terminal connections for cables up to 10mm². Designed for optimal use of installation.



Applications:

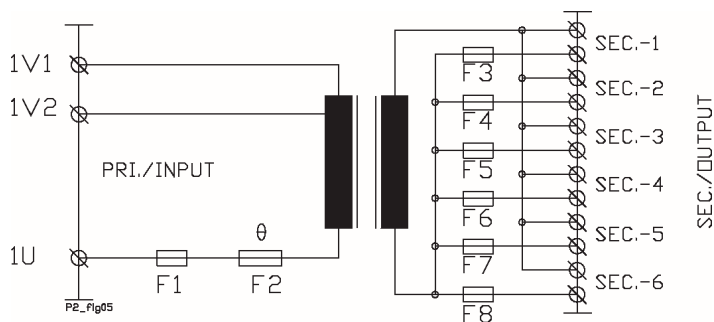
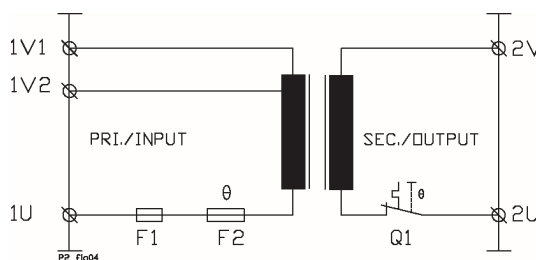
Transformer designed for 12V lighting installations, track or wiring systems.

Fully dimmable with dimmers designed for toroidal transformer loads.

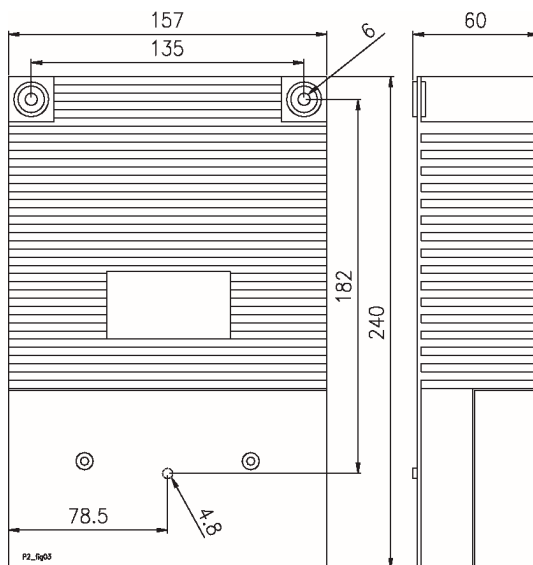
Technical specifications

- Input voltage: 230-250V
- Frequency: 50-60Hz
- Output voltage: 12V
- According to: EN61558-2-6
- Test/insulating voltage: 4kV AC RMS
- Construction class: II
- Insulation class: B (130°C)
- Ambient temp. (t_a): 40°C
- Degree of protection: IP34

Wiring diagram



Dimensions



Type	Voltage Pri. (V)	Voltage Sec. (V)	Power (VA)	Connection (W)	Weight (Kg)	Art. no.
200/2-K	230-250	12	225	2x100	4,2	4-III-112202
200/3-K	230-250	12	225	3x75	4,2	4-III-112203
200/4-K	230-250	12	225	4x50	4,2	4-III-112204
200/6-K	230-250	12	225	6x35	4,2	4-III-112206
300/3-K	230-250	12	300	3x100	4,3	4-III-112303
300/4-K	230-250	12	300	4x75	4,3	4-III-112304
300/6-K	230-250	12	300	6x50	4,3	4-III-112306
200/1-KSA	230-250	12	200	200	4,2	4-III-114201
300/1-KSA	230-250	12	300	300	4,2	4-III-114301