

Low voltage 5 - 275 kVA, IP54

Type 3LT-54

Capsulated three-phase non short-circuit proof transformer with power range from 5 to 275 kVA. Designed and tested according to EN61558-2-4, EN61558-2-6 & IEC60726. Standard types supplied with separate primary and secondary windings. This generates "a new system" in which any earth faults are eliminated. Aluminium enclosure, IP54, protects the transformer against hostile environment such as small particles and splash water.

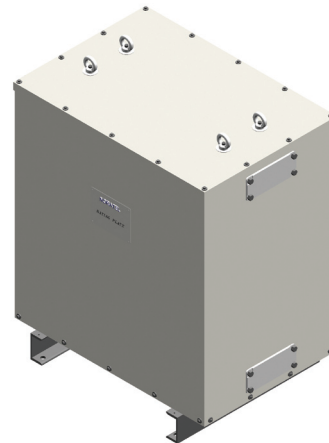
Applications:

This is an ideal design for transforming voltage up or down or for installations which require a galvanic partition between the primary and secondary voltage. Protects installations and equipment by generating "a new system" in which any earth faults are eliminated. E.g. electric motor, compressor, cooling plants, automatic washing machines, and to uphold IT or TN-S systems. Custom designed types with other voltages, frequencies, electrostatic shield between primary and secondary, regulations, tapings, transport wheels or other features are available upon request.

Technical specifications

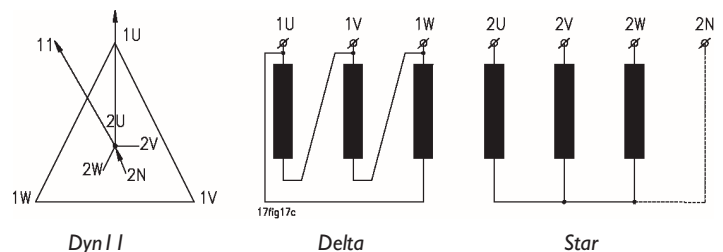
- Input voltage: 3x115 to 3x1000V
- Frequency: 47-63Hz
- Output voltage: 3x115 to 3x1000V
- Vector group: Dyn11 (standard)
Dyn5, Ynd1, Ynd5
- According to: EN61558-2-4,
EN61558-2-6
IEC60726, L.V.D.
- Test voltage: 3kV AC RMS
- Construction class: I
- Insulation class: F (155°C) - standard
H (180°C) - option
- Ambient temp. (t_a): 45°C
- Degree of protection: IP54
- Colour: RAL7035
- Type of termination: Terminal block

Can be supplied with Cu-bars termination depending on voltage/current.



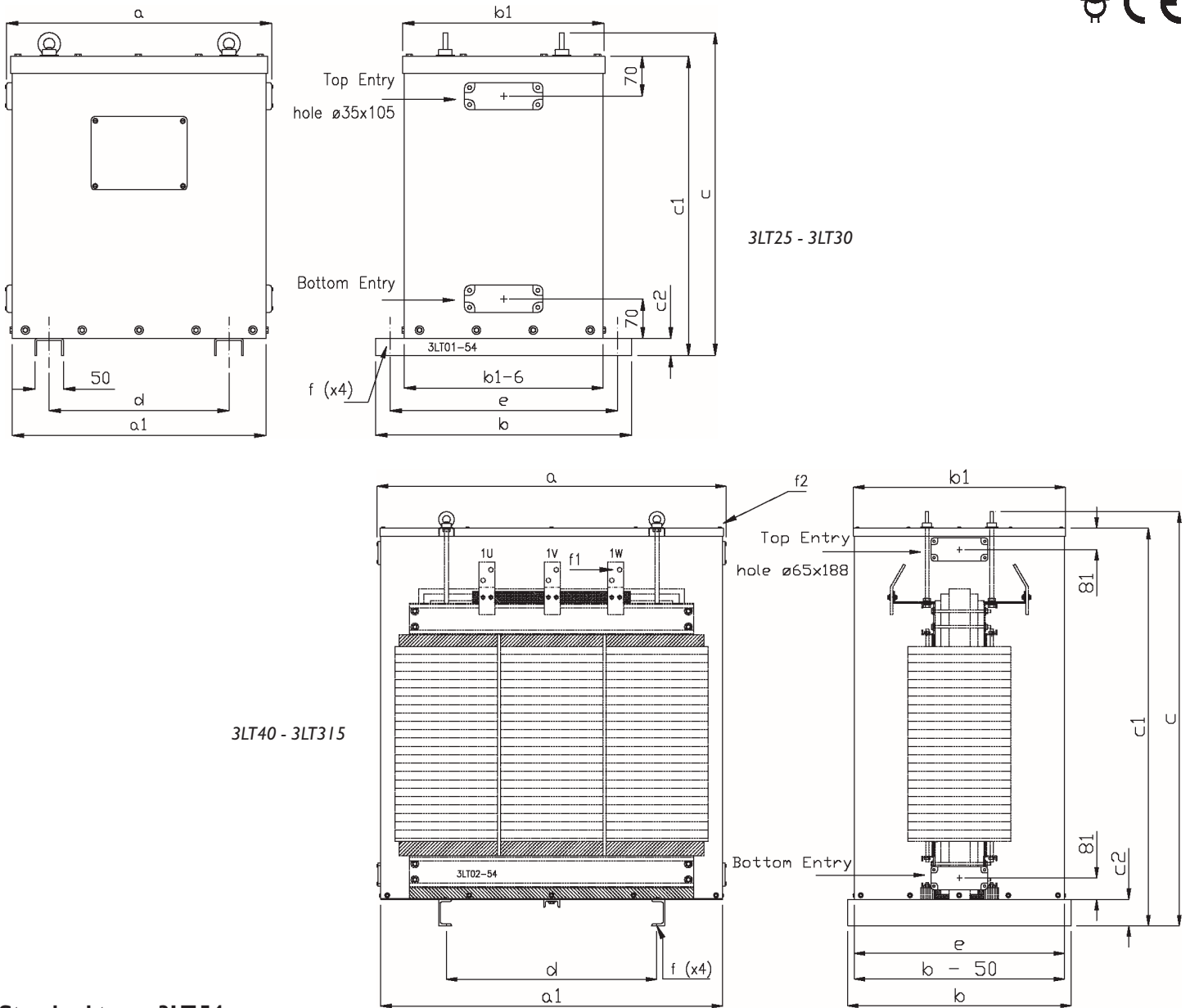
Standard types supplied with enclosure in aluminium with rubber compound and cable glands (FL21). To access terminals, only the lid has to be dismantled. Sidewalls mounted to the bottom with screws and silicon compound.

Standard vector group:



Noratel declare and guarantee that all transformers are designed according to the following standards; IEC60726, IEC60076, D.N.V., EN55014:1993 (EN55014-1:1997), EN61558, EN61000-3-2:1995, EN61000-3-3:1995, EN55104:1995 (EN55014-2:1997), EN50081-1:1992, EN50082-2:1995 based on the following directives; LVD 2014/35/EU, EMC 2014/30/EU, EcoDesign 2009/125/EC.

Dimensions



Standard types 3LT-54

Power (kVA)		Type	Dimensions (mm)										Weight (Kg)
Cl. F	Cl. H		a	b	c	a1	b1	c1	c2	d	e	f	
5	5,5	3LT6.30	430	400	515	400	310	470	30	264	350	15.0	70
6,3	7	3LT8.00	430	400	515	400	310	470	30	264	350	15.0	80
8	9	3LT10.0	430	400	515	400	310	470	30	264	350	15.0	107
10	11	3LT16.0	475	450	575	450	356	530	30	316	400	15.0	150
12,5	14	3LT20.0	475	450	575	450	356	530	30	316	400	15.0	180
16	18	3LT 25.0	600	550	630	570	456	580	30	356	500	15.0	196
20	22	3LT 30.0	600	550	630	570	456	580	30	356	500	15.0	245
30	33	3LT 40.0	630	520	827	600	476	770	50	340	470	14.0	245
40	45	3LT 50.0	630	520	827	600	476	770	50	340	470	14.0	285
50	56	3LT 63.0	660	520	877	630	476	820	50	360	470	14.0	320
63	70	3LT 80.0	660	520	877	630	476	820	50	360	470	14.0	380
80	89	3LT 100	870	630	1057	840	586	1000	100	590	580	18.0	473
100	110	3LT 125	870	630	1057	840	586	1000	100	590	580	18.0	550
125	138	3LT 160	990	700	1137	960	656	1080	100	590	650	18.0	695
160	175	3LT 200	990	700	1137	960	656	1080	100	590	650	18.0	800
200	220	3LT 250	1130	800	1517	1100	756	1450	100	600	750	18.0	1012
250	275	3LT 315	1130	800	1517	1100	756	1450	100	600	750	18.0	1150