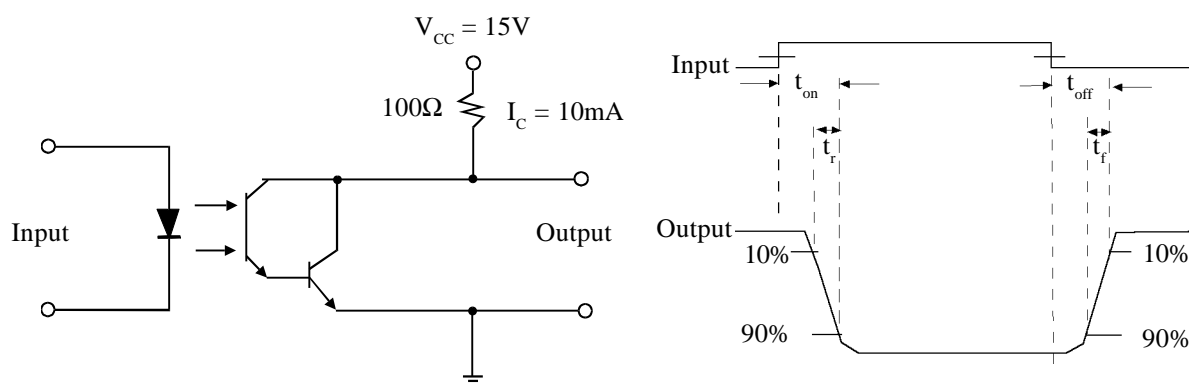


ELECTRICAL CHARACTERISTICS ($T_A = 25^\circ\text{C}$ Unless otherwise noted)

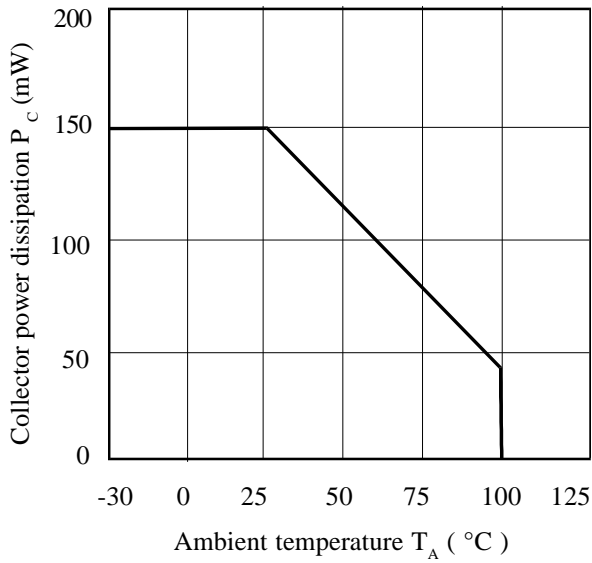
PARAMETER		MIN	TYP	MAX	UNITS	TEST CONDITION
Input	Forward Voltage (V_F)		1.2	1.5	V	$I_F = 10\text{mA}$ $I_R = 10\mu\text{A}$ $V_R = 3\text{V}$
	Reverse Voltage (V_R)	3			V	
	Reverse Current (I_R)			10	μA	
Output	Collector-emitter Breakdown (BV_{CEO})	30			V	$I_C = 1\text{mA}$ (note 2) $I_C = 100\mu\text{A}$ $I_E = 100\mu\text{A}$ $V_{CE} = 10\text{V}$
	Collector-base Breakdown (BV_{CBO})	30			V	
	Emitter-collector Breakdown (BV_{ECO})	7			V	
	Collector-emitter Dark Current (I_{CEO})			100	nA	
Coupled	Collector Output Current (I_C) (Note 2)	30			mA	$10\text{mA } I_F, 1\text{V } V_{CE}$
	Collector-emitter Saturation Voltage $V_{CE(SAT)}$			1.2	V	$50\text{mA } I_F, 50\text{mA } I_C$
	Input to Output Isolation Voltage V_{ISO}	5300			V_{RMS} V_{PK}	(note 1)
		7500				(note 1)
	Input-output Isolation Resistance R_{ISO}	5×10^{10}			Ω	$V_{IO} = 500\text{V}$ (note 1)
Output Rise Time	t_r		60	300	μs	$V_{CC} = 15\text{V}, I_C = 10\text{mA},$ $R_L = 100\Omega$, fig.1
Output Fall Time	t_f		53	250	μs	

- Note 1 Measured with input leads shorted together and output leads shorted together.
 Note 2 Special Selections are available on request. Please consult the factory.

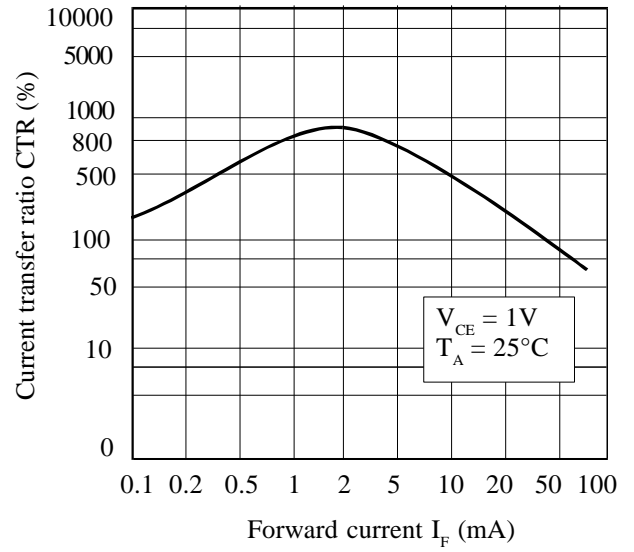
FIGURE 1



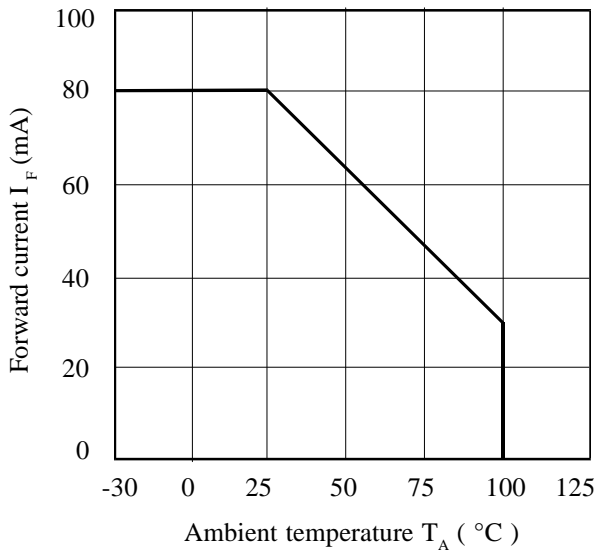
Collector Power Dissipation vs. Ambient Temperature



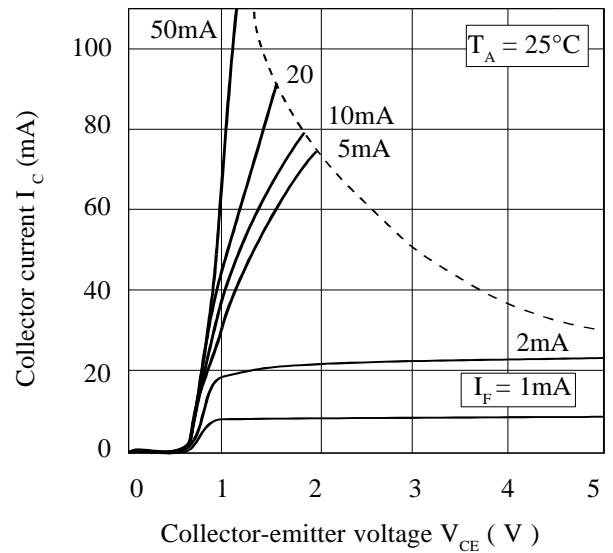
Current Transfer Ratio vs. Forward Current



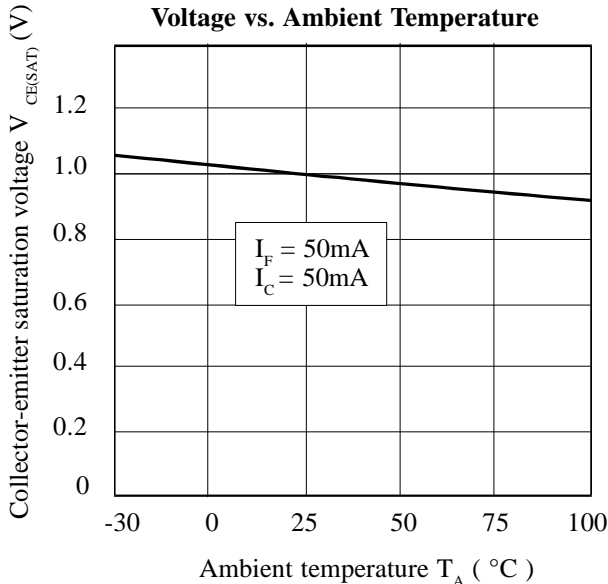
Forward Current vs. Ambient Temperature



Collector Current vs. Collector-emitter Voltage



Collector-emitter Saturation Voltage vs. Ambient Temperature



Relative Current Transfer Ratio vs. Ambient Temperature

